

DESCRIPTION:

The 483 series is cylindrical type in 3mm diameter with inverted cone top resulting in a very wide angle effect.

This series is most suitable for panel display.

The semi-conductor materials used are:

GaP for (483VGC/VGT)

GaAsP/GaP for (483VYC/VYT)

AlGaInP for (483UIC)

GaAlAs for (483UR1C, 483HR3C)

ABSOLUTE MAXIMUM RATINGS: (Ta=25°C)

Reverse Voltage	5 Volt
Reverse Current (Vr =5V)	100µA
Operating Temperature Range	-40°C To 85°C
Storage Temperature Range	-40°C To 100°C
Lead Soldering Temperature (1.6mm (1/16)From Body)	260°C For 5 Seconds

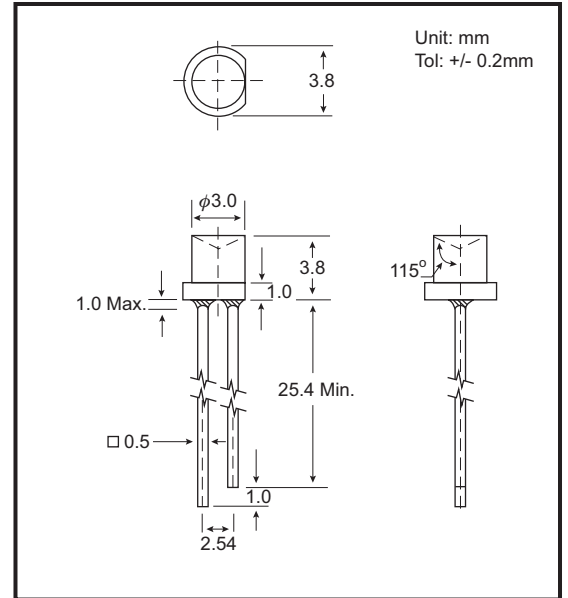
NOTES : 1. All dimensions are in millimeters.

2. Lead spacing is measured where the leads emerge from the package.

3. Protuded resin under flange is 1.5 mm (0.059") Max.

4. Specifications are subject to change without notice.

PACKAGE DIMENSIONS



PART NO. SELECTION AND APPLICATION INFORMATION (RATINGS AT 25°C AMBIENT)

Part No.	Emitted Color	Lens Color	Peak Wavelength λp (nm)	Vf (v)		Rec. If (mA).	Iv (mcd)		View Angle 2θ1/2(Deg)
				Min	Max		Min	Typ.	
GB-483VGT	Super Green	Green Trans.	565	1.7	2.6	10-20	8.6	1.0	160
GB-483VYT	Super Yellow	Yellow Trans.	585	1.7	2.6	10-20	7.7	9.0	160
GB-483HR3C	Super Red	Water Clear	640	1.5	2.6	10-20	13.0	15.0	160
GB-483UR1C	Super Red	Water Clear	660	1.5	2.6	10-20	34.0	40.0	160
GB-483UIC	Ultra Red	Water Clear	640	1.7	2.6	10-20	68.0	80.0	160
GB-483VGC	Super Green	Water Clear	565	1.7	2.6	10-20	8.6	1.0	160
GB-483VYC	Super Yellow	Water Clear	585	1.7	2.6	10-20	7.7	9.0	160

TESTING CONDITION FOR EACH PARAMETER :

PARAMETER:	SYMBOL	UNIT	TEST CONDITION
REVERSE VOLTAGE	Vr	VOLT	Vr = 5.0 Volt
REVERSE CURRENT	Ir	µA	If = 20mA
FORWARD VOLTAGE	Vf	VOLT	If = 20mA
LUMINOUS INTENSITY	Iv	MCD	If = 20mA
VIEWING ANGLE	2θ1/2	DEGREE	
RECOMMENDED OPERATING CURRENT	If (Rec)	mA	

